



HOBSON EAW-GD CLAWBOLT ANCHOR THROUGH BOLT

ETA 12/0397 (06/09/2022)

Option 1[†]

Seismic

Fire Resistant

DOC Link 10017

[†] Suitable for use in Cracked and Non-Cracked Concrete.

Qfind	Part Number on label	Size	Minimum Embedment	ETA Option	Fire Rating	Seismic C1	Seismic C2	Seismic Embedment						
EAW136	EAWMSGD 15 M080060	M8x60	48mm	Option 1	✓	✓		48mm						
	EAWMSGD 17 M080060													
EAW137	EAWMSGD 15 M080080	M8x80												
	EAWMSGD 17 M080080													
EAW138	EAWMSGD 15 M080095	M8x95												
	EAWMSGD 17 M080095													
EAW139	EAWMSGD 15 M080115	M8x115												
	EAWMSGD 17 M080115													
EAW142	EAWMSGD 15 M100090	M10x90							60mm	Option 1	✓	✓		60mm
	EAWMSGD 17 M100090													
EAW143	EAWMSGD 15 M100105	M10x105												
	EAWMSGD 17 M100105													
EAW144	EAWMSGD 15 M100120	M10x120												
	EAWMSGD 17 M100120													
EAW145	EAWMSGD 15 M100140	M10x140												
	EAWMSGD 17 M100140													
EAW146	EAWMSGD 15 M100165	M10x165												
	EAWMSGD 17 M100165													
EAW147	EAWMSGD 15 M100185	M10x185												
	EAWMSGD 17 M100185													
EAW149	EAWMSGD 15 M120110	M12x110	70mm	Option 1	✓	✓	✓	70mm						
	EAWMSGD 18 M120110													
EAW150	EAWMSGD 15 M120120	M12x120												
	EAWMSGD 18 M120120													
EAW151	EAWMSGD 15 M120150	M12x150												
	EAWMSGD 18 M120150													
EAW152	EAWMSGD 15 M120180	M12x180												
	EAWMSGD 18 M120180													
EAW153	EAWMSGD 15 M120200	M12x200												
	EAWMSGD 18 M120200													
EAW154	EAWMSGD 15 M160125	M16x125							85mm	Option 1	✓	✓	✓	85mm
	EAWMSGD 18 M160125													
EAW155	EAWMSGD 15 M160145	M16x145												
	EAWMSGD 18 M160145													
EAW156	EAWMSGD 15 M160175	M16x175												
	EAWMSGD 18 M160175													
EAW157	EAWMSGD 15 M160220	M16x220												
	EAWMSGD 18 M160220													
EAW158	EAWMSGD 15 M200170	M20x170	100mm	Option 1	✓	✓	✓	100mm						
	EAWMSGD 18 M200170													
EAW159	EAWMSGD 15 M200200	M20x200												
	EAWMSGD 18 M200200													



**INSTITUTO DE CIENCIAS
DE LA CONSTRUCCIÓN
EDUARDO TORROJA**

C/ Serrano Galvache n. 4 28033 Madrid (Spain)
Tel.: (34) 91 302 04 40
direccion.ietcc@csic.es <https://dit.ietcc.csic.es>

European Technical Assessment

ETA 12/0397 of 06/09/2022

English translation prepared by IETcc. Original version in Spanish language

General Part

Technical Assessment Body issuing the ETA designated according to Art. 29 of Regulation (EU) 305/2011:

Instituto de Ciencias de la Construcción Eduardo Torroja (IETcc)

**Trade name of the construction product:
Product family to which the construction product belongs:**

Anchor MTP

Torque controlled expansion anchor made of galvanized steel, sherardized steel or stainless steel of sizes M8, M10, M12, M16, M20 and M24 for use in cracked or uncracked concrete.

Manufacturer:

Index - Técnicas Expansivas S.L.
Segador 13
26006 Logroño (La Rioja) Spain.
website: www.indexfix.com

Manufacturing plants:

Index plant 2

This European Technical Assessment contains:

18 pages including 3 annexes which form an integral part of this assessment.

This European Technical Assessment is issued in accordance with regulation (EU) No 305/2011, on the basis of:

European Technical Assessment EAD 330232-01-0601 "Mechanical fasteners for use in concrete", ed. December 2019

This ETA is a corrigendum of:

ETA 12/0397 version 1 issued on 06/09/2022

English translation prepared by IETcc

This European Technical Assessment is issued by the Technical Assessment Body in its official language. Translations of this European Technical Assessment in other languages shall fully correspond to the original issued document and should be identified as such.

This European Technical Assessment may be withdrawn by the issuing Technical Assessment Body, in particular pursuant to information by the Commission according to article 25 (3) of Regulation (EU) No 305/2011.

English translation prepared by IETcc

SPECIFIC PART

1. Technical description of the product

The Index MTP wedge anchor in the range of M8, M10, M12, M16, M20 and M24 is an anchor made of galvanised steel. The Index MTP-G wedge anchor in the range of M8, M10, M12, M16 and M20 is an anchor made of sherardized steel. The Index MTP-X wedge anchor in the range of M8, M10, M12, M16 and M20 is an anchor made of galvanized steel. The Index MTP-A4 wedge anchor in the range of M8, M10, M12, M16 and M20 is an anchor made of stainless steel. The anchor is installed into a predrilled cylindrical hole and anchored by torque-controlled expansion. The anchorage is characterized by friction between expansion clip and concrete.

Product and installation descriptions are given in annexes A1 and A2.

2. Specification of the intended use in accordance with the applicable European Assessment Document.

The performances given in section 3 are only valid if the anchor is used in compliance with the specifications and conditions given in annex B.

The verifications and assessment methods on which this European Technical Assessment is based lead to the assumption of a working life of the anchor of at least 50 years. The indications given on the working life cannot be interpreted as a guarantee given by the producer, but are to be regarded only as a mean to choosing the right products in relation to the expected economically reasonable working life of the works.

3. Performance of the product and references to the methods used for its assessment

3.1 Mechanical resistance and stability (BWR 1)

Essential characteristic	Performance
Characteristic resistance to tension load (static and quasi-static loading) Method A	See Annex C1, C3 and C4
Characteristic resistance to shear load (static and quasi-static loading).	See Annex C1 and C5
Displacements	See Annex C6
Characteristic resistance and displacements for seismic performance category C1 and C2	See Annex C7 and C8

3.2 Safety in case of fire (BWR 2)

Essential characteristic	Performance
Reaction to fire	Anchorage satisfy requirements for class A1
Resistance to fire	See annexes C9 and C10

English translation prepared by IETcc

4. Assessment and Verification of Constancy of Performances (hereinafter AVCP) system applied, with reference to its legal base

The applicable European legal act for the system of Assessment and Verification of Constancy of Performances (see annex V to Regulation (EU) No 305/2011) is 96/582/EC.

The system to be applied is 1.

5. Technical details necessary for the implementation of the AVCP system, as provided for in the applicable European Assessment Document.

The technical details necessary for the implementation of the AVCP system are laid down in the quality plan deposited at Instituto de Ciencias de la Construcción Eduardo Torroja.



Instituto de Ciencias de la Construcción Eduardo Torroja
CONSEJO SUPERIOR DE INVESTIGACIONES CIENTÍFICAS

C/ Serrano Galvache n.º 4. 28033 Madrid.
Tel: (+34) 91 302 04 40
<https://dit.ietcc.csic.es>



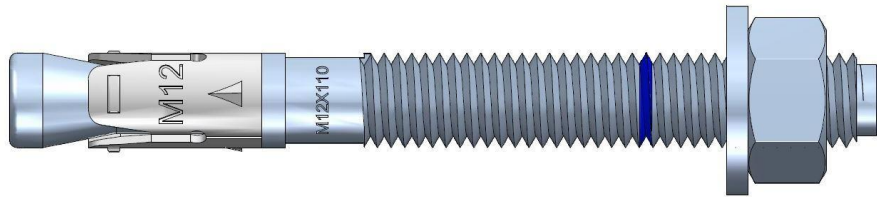
On behalf of the Instituto de Ciencias de la Construcción Eduardo Torroja
Madrid, 3rd of October 2022

Director IETcc - CSIC



Product and installed condition

MTP, MTP-G, MTP-X. MTP-A4 anchor



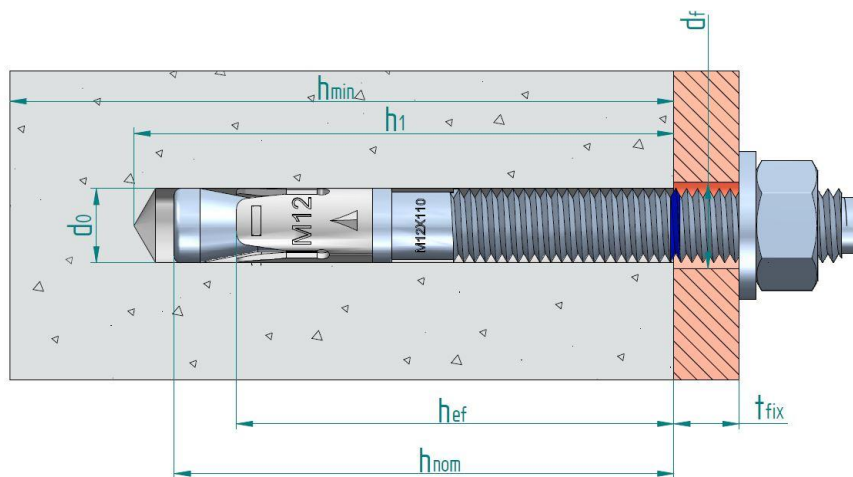
Identification on anchor:

- Expansion clip:
 - Anchor MTP: Company logo + “MTP” + Metric.
 - Anchor MTP-G: Company logo + “MTP-G” + Metric.
 - Anchor MTP-X: Company logo + “MTP-X” + Metric
 - Anchor MTP-A4: Company logo + “MTP-A4” + Metric
- Anchor body: Metric x Length
- Blue ring mark to show embedment depth
- Length letter code on head:

Letter on head	Length [mm]
C	68 ÷ 75
D	76 ÷ 88
E	89 ÷ 101
F	102 ÷ 113
G	114 ÷ 126
H	127 ÷ 139

Letter on head	Length [mm]
I	140 ÷ 151
J	152 ÷ 164
K	165 ÷ 177
L	178 ÷ 190
M	191 ÷ 202
N	203 ÷ 215

Letter on head	Length [mm]
O	216 ÷ 228
P	229 ÷ 240
Q	241 ÷ 253
R	254 ÷ 266
S	267 ÷ 300



- d₀: Nominal diameter of drill bit
- d_r: Fixture clearance hole diameter
- h_{ef}: Effective anchorage depth
- h₁: Depth of drilled hole
- h_{nom}: Overall anchor embedment depth in the concrete
- h_{min}: Minimum thickness of concrete member
- t_{fix}: Fixture thickness

MTP anchors

Product description

Installed condition

Annex A1

English translation prepared by IETcc

Table A1: materials

Item	Designation	Material for MTP	Material for MTP-G
1	Anchor body	M8 to M20: carbon steel wire rod, galvanized $\geq 5 \mu\text{m}$ ISO 4042 Zn5/An/T0 with antifriction coating M24: machine carbon steel, galvanized $\geq 5 \mu\text{m}$ ISO 4042 Zn5/An/T0 with antifriction coating	Carbon steel wire rod, sherardized $\geq 40 \mu\text{m}$ EN 13811
2	Washer	DIN 125, DIN 9021, DIN 440 galvanized $\geq 5 \mu\text{m}$ ISO 4042 Zn5/An/T0	DIN 125, DIN 9021, DIN 440 sherardized $\geq 40 \mu\text{m}$ EN 13811
3	Nut	DIN 934 class 6, galvanized $\geq 5 \mu\text{m}$ ISO 4042 Zn5/An/T0	DIN 934 class 6, sherardized $\geq 40 \mu\text{m}$ EN 13811
4	Expansion clip	Stainless steel	Stainless steel

Item	Designation	Material for MTP-X	Material for MTP-A4
1	Anchor body	Carbon steel wire rod, galvanized $\geq 5 \mu\text{m}$ ISO 4042 Zn5/An/T0 with antifriction coating	Stainless steel, grade A4
2	Washer	DIN 125, DIN 9021, DIN 440 galvanized $\geq 5 \mu\text{m}$ ISO 4042 Zn5/An/T0	DIN 125, DIN 9021, DIN 440 stainless steel, grade A4
3	Nut	DIN 934 class 6 galvanized $\geq 5 \mu\text{m}$ ISO 4042 Zn5/An/T0	Stainless steel, grade A4 with antifriction coating
4	Expansion clip	Carbon steel strip, sherardized $\geq 15 \mu\text{m}$ EN 13811	Stainless steel, grade A4, galvanized $\geq 5 \mu\text{m}$ ISO 4042 Zn5/An/T0

MTP anchors

Product description

Materials

Annex A2

English translation prepared by IETcc

Specifications of intended use

Version	Intended use	M8	M10	M12	M16	M20	M24
MTP	Static or quasi static loads	✓	✓	✓	✓	✓	✓
	Seismic loads category C1		✓	✓	✓		
	Seismic loads category C2			✓	✓		
	Resistance to fire exposure	✓	✓	✓	✓	✓	✓
MTP-G	Static or quasi static loads	✓	✓	✓	✓	✓	
	Seismic loads category C1	✓	✓	✓	✓	✓	
	Seismic loads category C2			✓	✓	✓	
	Resistance to fire exposure	✓	✓	✓	✓	✓	
MTP-X	Static or quasi static loads	✓	✓	✓	✓	✓	
	Seismic loads category C1	✓	✓	✓	✓	✓	
	Seismic loads category C2		✓	✓		✓	
	Resistance to fire exposure	✓	✓	✓	✓	✓	

Base materials:

- Reinforced or unreinforced normal weight concrete without fibres according to EN 206:2013+A1:2016
- Strength classes C20/25 to C50/60 according to EN 206:2013+A1:2016
- Cracked or uncracked concrete

Use conditions (environmental conditions):

- MTP, MTP-X: anchorages subjected to dry internal conditions.
- MTP-G:
 - Anchorages in cracked concrete: dry internal conditions
 - Anchorages in uncracked concrete: durability depending on the following environmental corrosivity categories according to ISO 9223:2012:

Corrosivity category	Corrosivity	Durability [years]
C1	Very low	50 ¹⁾
C2	Low	50 ¹⁾
C3	Medium	19
C4	High	9.5
C5	Very high	4.7
CX	Extreme	--

1) Working life of fastener limited to 50 years according to EAD 330232-01-0601 section 1.2.2

- MTP-A4: anchorages subjected to dry internal conditions, to external atmospheric exposure (including industrial and marine environment) or to permanent internal damp conditions if no particular aggressive conditions exist. Such particular aggressive conditions are e.g., permanent, alternating immersion in seawater or the splash zone of seawater, chloride atmosphere of indoor swimming pools or atmosphere with extreme chemical pollution (e.g., in desulphurization plants or road tunnels where de-icing materials are used). Atmospheres under Corrosion Resistance Class CRC III according to EN 1993-1-4:2006+A1:2015 annex A.

MTP anchors	Annex B1
Intended use	
Specifications	

English translation prepared by IETcc

Corrosivity category	Corrosivity	Typical environments – Examples	
		Indoor	Outdoor
C1	Very low	Heated spaces with low relative humidity and insignificant pollution; e.g., offices, schools, museums.	Dry or cold zone, atmospheric environment with very low pollution and time of wetness; e.g., certain deserts, Central Arctic/Antarctic.
C2	Low	Unheated spaces with varying temperature and relative humidity. Low frequency of condensation and low pollution; e.g., storage, sport halls.	Temperate zone, atmospheric environment with low pollution ($\text{SO}_2 < 5 \mu\text{g}/\text{m}^3$); e.g., rural areas, small towns. Dry or cold zone, atmospheric environment with short time or wetness, e.g., deserts, subarctic areas.
C3	Medium	Spaces with moderate frequency of condensation and moderate pollution from production process; e.g., food-processing plants, laundries, breweries, dairies.	Temperate zone, atmospheric environment with medium pollution ($\text{SO}_2 5 \mu\text{g}/\text{m}^3$ to $30 \mu\text{g}/\text{m}^3$), or some effect of chlorides, e.g., urban areas, coastal areas with low deposition of chlorides. Subtropical and tropical zone, atmosphere with low pollution.
C4	High	Spaces with high frequency of condensation and high pollution from production process; e.g., industrial processing plants.	Temperate zone, atmospheric environment with high pollution ($\text{SO}_2 30 \mu\text{g}/\text{m}^3$ to $90 \mu\text{g}/\text{m}^3$), or substantial effect of chlorides; e.g., polluted urban areas, industrial areas, coastal areas without spray of salt water or exposure to strong effect of de-icing salts. Subtropical and tropical zone, atmosphere with medium pollution.
C5	Very High	Spaces with very high frequency of condensation and/or high pollution from production process; e.g., mines, caverns for industrial purposes, unventilated sheds in subtropical and tropical zones	Temperate zone, atmospheric environment with very high pollution ($\text{SO}_2 90 \mu\text{g}/\text{m}^3$ to $250 \mu\text{g}/\text{m}^3$), or significant effect of chlorides; e.g., industrial areas, coastal areas, sheltered positions on coastline. Subtropical and tropical zone, atmosphere with medium pollution.
CX	Extreme	Spaces with almost permanent condensation or extensive periods of exposure to extreme humidity effects and/or high pollution from production process; e.g., unventilated sheds in humid tropical zones with penetration of outdoor pollution including airborne chlorides and corrosion-stimulating particulate matter	Subtropical and tropical zone (very high time of wetness), atmospheric environment with very high SO_2 pollution (higher than $250 \mu\text{g}/\text{m}^3$) including accompanying and production factors and/or strong effect of chlorides; e.g., extreme industrial areas, coastal and offshore areas, occasional contact with salt spray.

Design:

- Anchorages are designed under the responsibility of an engineer experienced in anchorages and concrete.
- Verifiable calculation rules and drawings are prepared taking into account of the loads to be anchored. The position of the anchor is indicated on the design drawings (e.g. position of the anchor relative to reinforcement or to supports, etc.).
- Anchorages under static or quasi-static actions are designed for design method A in accordance with EN 1994-4:2018
- Anchorages under seismic actions are designed in accordance with EN 1992-4:2018. Anchorages shall be positioned outside of critical regions (e.g. plastic hinges) of the concrete structure. Fastening in stand-off installation or with grout layer are not allowed.
- Anchorages under fire exposure are designed in accordance with EN 1992-4:2018. It must be ensured that local spalling of the concrete cover does not occur.

Installation:

- Hole drilling by rotary plus hammer mode.
- Anchor installation carried out by appropriately qualified personal and under the supervision of the person responsible for technical matters of the site.
- In case of aborted hole: new drilling at a minimum distance away of twice the depth of aborted hole or smaller distance if the aborted hole is filled with high strength mortar and if under shear or oblique tension load it is not the direction of the load application.

MTP anchors	Annex B2
Intended use	
Specifications	

English translation prepared by IETcc

Table C1: Installation parameters for MTP, MTP-G, MTP-X anchors

Installation parameters			Performances					
			M8	M10	M12	M16	M20	M24
d ₀	Nominal diameter of drill bit:	[mm]	8	10	12	16	20	24
d _f	Fixture clearance hole diameter:	[mm]	9	12	14	18	22	26
T _{inst}	Nominal installation torque:	[Nm]	20 / 15 ¹⁾	40	60	100	200	250
L _{min}	Minimum total length of the bolt:	[mm]	68	82	98	119	140	175
h _{min}	Minimum thickness of concrete member:	[mm]	100	120	140	170	200	250
h ₁	Depth of drilled hole:	[mm]	60	75	85	105	125	155
h _{nom}	Overall anchor embedment depth in the concrete:	[mm]	55	68	80	97	114	143
h _{ef}	Effective anchorage depth:	[mm]	48	60	70	85	100	125
t _{fix}	Thickness of fixture for washer DIN 125 ≤ ²⁾	[mm]	L - 66	L - 80	L - 96	L - 117	L - 138	L - 170
t _{fix}	Thickness of fixture for washers DIN 9021, DIN 440 ≤ ²⁾	[mm]	L - 67	L - 81	L - 97	L - 118	L - 139	L - 171
S _{min}	Minimum allowable spacing: for edge distance c ≥	[mm]	40	40	60	65	95	125
		[mm]	55	70	75	95	105	125
C _{min}	Minimum allowable distance: for spacing s ≥	[mm]	45	45	55	70	95	125
		[mm]	55	90	110	115	105	125

¹⁾ Respective values for anchors MTP / MTP-G, MTP-X

²⁾ L = total anchor length

Table C2: Installation parameters for MTP-A4 anchor

Installation parameters			Performances				
			M8	M10	M12	M16	M20
d ₀	Nominal diameter of drill bit:	[mm]	8	10	12	16	20
d _f	Fixture clearance hole diameter:	[mm]	9	12	14	18	22
T _{inst}	Nominal installation torque:	[Nm]	15	30	60	100	200
L _{min}	Minimum total length of the bolt:	[mm]	68	82	98	119	140
h _{min}	Minimum thickness of concrete member:	[mm]	100	120	140	170	200
h ₁	Depth of drilled hole:	[mm]	60	75	85	105	125
h _{nom}	Overall anchor embedment depth in the concrete:	[mm]	55	68	80	97	114
h _{ef}	Effective anchorage depth:	[mm]	48	60	70	85	100
t _{fix}	Thickness of fixture for washer DIN 125 ≤ ¹⁾	[mm]	L - 66	L - 80	L - 96	L - 117	L - 138
t _{fix}	Thickness of fixture for washers DIN 9021, DIN 440 ≤ ¹⁾	[mm]	L - 67	L - 81	L - 97	L - 118	L - 139
S _{min}	Minimum allowable spacing:	[mm]	42	47	57	75	100
C _{min}	Minimum allowable distance:	[mm]	47	52	62	75	90

¹⁾ L = total anchor length

MTP anchors

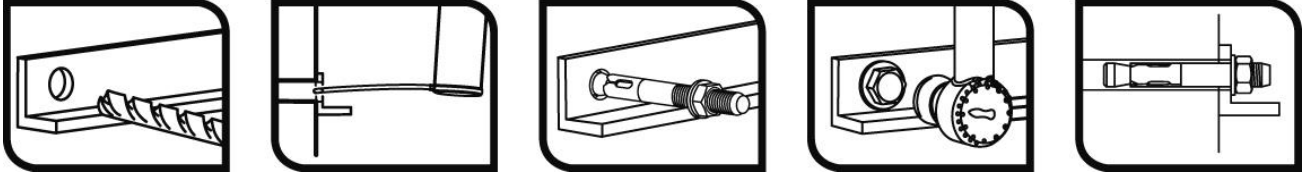
Performances

Installation parameters

Annex C1

English translation prepared by IETcc

Installation process



MTP anchors	Annex C2
Performances	
Installation procedure	

English translation prepared by IETcc

Table C3: Essential characteristics under static or quasi-static tension loads according to design method A according to EN 1992-4 for MTP, MTP-G, MTP-X anchors

Essential characteristics under static or quasi-static tension loads according to design method A		Performances							
		M8	M10	M12	M16	M20	M24		
Tension loads: steel failure									
$N_{Rk,s}$	Characteristic resistance:	[kN]	18.1	31.4	40.4	72.7	116.6	179.2	
γ_{Ms}	Partial safety factor: ¹⁾	[-]	1.5	1.5	1.5	1.5	1.5	1.5	
Tension loads: pull-out failure in concrete									
MTP anchor									
$N_{Rk,p,ucr}$	Characteristic resistance in C20/25 uncracked concrete:	[kN]	9	18	20	36	48	55	
$N_{Rk,p,cr}$	Characteristic resistance in C20/25 cracked concrete:	[kN]	5	9.5	12	25	32	35	
MTP-G anchor									
$N_{Rk,p,ucr}$	Characteristic resistance in C20/25 uncracked concrete:	[kN]	10	18	-- ¹⁾	36	-- ¹⁾	--	
$N_{Rk,p,cr}$	Characteristic resistance in C20/25 cracked concrete:	[kN]	6	10	16	-- ¹⁾	30	--	
MTP-X anchor									
$N_{Rk,p,ucr}$	Characteristic resistance in C20/25 uncracked concrete:	[kN]	10	18	28	34	-- ¹⁾	--	
$N_{Rk,p,cr}$	Characteristic resistance in C20/25 cracked concrete:	[kN]	7	11	15	-- ¹⁾	-- ¹⁾	--	
γ_{ins}	Installation safety factor:	[-]	1.2	1.0	1.0	1.0	1.0	1.2	
ψ_c	Increasing factor for $N^0_{Rk,p}$:	C30/37	[-]	1.22	1.17	1.22	1.22	1.17	1.22
		C40/50	[-]	1.41	1.31	1.41	1.41	1.31	1.41
		C50/60	[-]	1.58	1.43	1.58	1.58	1.43	1.58
Tension loads: concrete cone and splitting failure									
h_{ef}	Effective embedment depth:	[mm]	48	60	70	85	100	125	
$k_{ucr,N}$	Factor for uncracked concrete:	[-]	11.0						
$k_{cr,N}$	Factor for cracked concrete:	[-]	7,7						
γ_{ins}	Installation safety factor:	[-]	1.2	1.0	1.0	1.0	1.0	1.2	
$s_{cr,N}$	Concrete cone failure:	[mm]	3 x h_{ef}						
$c_{cr,N}$		[mm]	1.5 x h_{ef}						
$s_{cr,sp}$	Splitting failure:	[mm]	288	300	350	425/510 ²⁾	500/600 ²⁾	560	
$c_{cr,sp}$		[mm]	144	150	175	213/255 ²⁾	250/300 ²⁾	280	

- 1) Pull out failure is not decisive
2) Respective values for anchors MTP / MTP-G, MTP-X

MTP anchors

Performances

Essential characteristics under static or quasi-static tension loads

Annex C3

English translation prepared by IETcc

Table C4: Essential characteristics under static or quasi-static tension loads according to design method A according to EN 1992-4 for MTP-A4 anchor

Essential characteristics under static or quasi-static tension loads according to design method A				Performances				
				M8	M10	M12	M16	M20
Tension loads: steel failure								
$N_{Rk,s}$	Characteristic resistance:	[kN]	18.5	30.9	45.5	71.5	122.5	
γ_{Ms}	Partial safety factor:	[-]	1.4	1.4	1.4	1.4	1.4	
Tension loads: pull-out failure in concrete								
$N_{Rk,p,ucr}$	Characteristic resistance in C20/25 uncracked concrete:	[kN]	12	16	22	-- ¹⁾	-- ¹⁾	
ψ_c	Increasing factor for $N^0_{Rk,p}$:	C30/37	[-]	1.22	1.22	1.22	1.22	1.09
		C40/50	[-]	1.41	1.41	1.41	1.41	1.16
		C50/60	[-]	1.58	1.58	1.58	1.58	1.22
$N_{Rk,p,cr}$	Characteristic resistance in C20/25 cracked concrete:	[kN]	8.5	14	19	-- ¹⁾	-- ¹⁾	
ψ_c	Increasing factor for $N^0_{Rk,p}$:	C30/37	[-]	1.01	1.00	1.09	1.09	1.17
		C40/50	[-]	1.02	1.00	1.15	1.16	1.32
		C50/60	[-]	1.02	1.00	1.20	1.22	1.44
γ_{ins}	Installation safety factor:	[-]	1.0	1.0	1.2	1.2	1.2	
Tension loads: concrete cone and splitting failure								
h_{ef}	Effective embedment depth:	[mm]	48	60	70	85	100	
$k_{ucr,N}$	Factor for uncracked concrete:	[-]	11.0					
$k_{cr,N}$	Factor for cracked concrete:	[-]	7,7					
γ_{ins}	Installation safety factor:	[-]	1.0	1.0	1.2	1.2	1.2	
$S_{cr,N}$	Concrete cone failure:	[mm]	3 x h_{ef}					
$C_{cr,N}$		[mm]	1.5 x h_{ef}					
$S_{cr,sp}$	Splitting failure:	[mm]	164	204	238	290	380	
$C_{cr,sp}$		[mm]	82	102	119	145	190	

1) Pull out failure is not decisive

MTP anchors

Performances

Essential characteristics under static or quasi-static tension loads

Annex C4

English translation prepared by IETcc

Table C5: Essential characteristics under static or quasi-static shear loads of design method A according to EN 1992-4 for MTP, MTP-G, MTP-X anchors

Essential characteristics under static or quasi-static shear loads according to design method A			Performances					
			M8	M10	M12	M16	M20	M24
Shear loads: steel failure without lever arm								
$V_{Rk,s}$	Characteristic resistance:	[kN]	11.0	17.4	25.3	47.1	73.1	84.7
k_7	Ductility factor:	[-]	1.00					
γ_{Ms}	Partial safety factor:	[-]	1.25	1.25	1.25	1.25	1.25	1.25
Shear loads: steel failure with lever arm								
$M^0_{Rk,s}$	Characteristic bending moment:	[Nm]	22.5	44.8	78.6	199.8	389.4	673.5
γ_{Ms}	Partial safety factor:	[-]	1.25	1.25	1.25	1.25	1.25	1.25
Shear loads: concrete pryout failure								
k_8	Pryout factor:	[-]	1	2	2	2	2	2
γ_{ins}	Installation safety factor:	[-]	1.00					
Shear loads: concrete edge failure								
l_f	Effective length of anchor under shear loads:	[mm]	48	60	70	85	100	125
d_{nom}	Outside anchor diameter:	[mm]	8	10	12	16	20	24
γ_{ins}	Installation safety factor:	[-]	1.00					

Table C6 Essential characteristics under static or quasi-static shear loads of design method A according to EN 1992-4 for MTP-A4 anchor

Essential characteristics under static or quasi-static shear loads according to design method A			Performances				
			M8	M10	M12	M16	M20
Shear loads: steel failure without lever arm							
$V_{Rk,s}$	Characteristic resistance:	[kN]	11.9	18.9	27.4	55.0	85.9
k_7	Ductility factor:	[-]	1.00				
γ_{Ms}	Partial safety factor:	[-]	1.25	1.25	1.25	1.25	1.25
Shear loads: steel failure with lever arm							
$M^0_{Rk,s}$	Characteristic bending moment:	[Nm]	26.2	52.3	91.7	233.1	454.3
γ_{Ms}	Partial safety factor:	[-]	1.25	1.25	1.25	1.25	1.25
Shear loads: concrete pryout failure							
k_8	Pryout factor:	[-]	1	2	2	2	2
γ_{ins}	Installation safety factor:	[-]	1.00				
Shear loads: concrete edge failure							
l_f	Effective length of anchor under shear loads:	[mm]	48	60	70	85	100
d_{nom}	Outside anchor diameter:	[mm]	8	10	12	16	20
γ_{ins}	Installation safety factor:	[-]	1.00				

MTP anchors

Performances

Essential characteristics under static or quasi-static shear loads

Annex C5

English translation prepared by IETcc

Table C7: Displacements under tension loads for MTP, MTP-G, MTP-X, MTP-A4 anchors

Displacements under tension loads		Performances					
		M8	M10	M12	M16	M20	M24
MTP anchor							
N	Service tension load: [kN]	2.5	4.3	6.3	10.4	13.9	18.0
$\bar{\delta}_{N0}$	Short term displacement: [mm]	1.1	0.7	1.0	0.4	1.6	0.4
$\bar{\delta}_{N\infty}$	Long term displacement: [mm]	1.9	1.9	1.9	1.9	1.9	2.0
MTP-G anchor							
N	Service tension load: [kN]	2.5	4.3	6.3	10.4	13.9	--
$\bar{\delta}_{N0}$	Short term displacement: [mm]	1.0	1.1	0.9	1.5	1.2	--
$\bar{\delta}_{N\infty}$	Long term displacement: [mm]	1.9	1.9	1.9	1.9	1.9	--
MTP-X anchor							
N	Service tension load: [kN]	2.5	4.3	7.6	11.9	14.3	--
$\bar{\delta}_{N0}$	Short term displacement: [mm]	1.0	1.1	0.9	1.5	1.3	--
$\bar{\delta}_{N\infty}$	Long term displacement: [mm]	1.6	1.6	1.6	1.6	1.6	--
MTP-A4 anchor							
N	Service tension load in non cracked concrete: [kN]	5.7	7.6	8.7	15.3	19.5	--
$\bar{\delta}_{N0}$	Short term displacement: [mm]	1.4	1.4	1.4	1.8	1.8	--
$\bar{\delta}_{N\infty}$	Long term displacement: [mm]	1.9	1.9	1.9	1.9	1.9	--
MTP-A4 anchor							
N	Service tension load in cracked concrete: [kN]	4.0	6.7	7.5	10.7	13.7	--
$\bar{\delta}_{N0}$	Short term displacement: [mm]	1.2	1.3	1.3	1.3	1.3	--
$\bar{\delta}_{N\infty}$	Long term displacement: [mm]	1.7	1.7	1.7	1.7	1.7	--

Table C8: Displacements under shear load for MTP, MTP-G, MTP-X, MTP-A4 anchors

Displacements under shear loads		Performances					
		M8	M10	M12	M16	M20	M24
MTP anchor							
V	Service shear load: [kN]	4.9	6.8	8.5	15.1	24.6	33.6
$\bar{\delta}_{V0}$	Short term displacement: [mm]	1.0	1.5	1.8	1.9	3.1	1.4
$\bar{\delta}_{V\infty}$	Long term displacement: [mm]	1.5	2.3	2.7	2.9	4.7	2.1
MTP-G anchor							
V	Service shear load: [kN]	4.9	6.8	8.5	15.1	24.6	-
$\bar{\delta}_{V0}$	Short term displacement: [mm]	1.0	1.5	1.8	1.9	3.1	--
$\bar{\delta}_{V\infty}$	Long term displacement: [mm]	1.5	2.3	2.7	2.9	4.7	--
MTP-X anchor							
V	Service shear load: [kN]	4.9	6.8	8.5	15.1	24.6	--
$\bar{\delta}_{V0}$	Short term displacement: [mm]	1.0	1.5	1.8	1.9	3.1	--
$\bar{\delta}_{V\infty}$	Long term displacement: [mm]	1.5	2.3	2.7	2.9	4.7	--
MTP-A4 anchor							
V	Service shear load: [kN]	6.8	10.8	15.7	31.4	46.9	--
$\bar{\delta}_{V0}$	Short term displacement: [mm]	1.9	1.6	1.6	2.2	2.2	--
$\bar{\delta}_{V\infty}$	Long term displacement: [mm]	2.4	2.4	2.4	3.3	3.3	--

MTP anchors

Performances

Displacements under static or quasi-static tension and shear loads

Annex C6

English translation prepared by IETcc

Table C9: Essential characteristics for seismic performance category C1 MTP, MTP-G, MTP-X anchors

Essential characteristics for seismic performance category C1				Performances					
				M8	M10	M12	M16	M20	M24
Steel tension failure									
$N_{Rk,s,C1}$	Characteristic tension steel failure:	[kN]	18.1	31.4	40.4	72.7	116.6	--	
$\gamma_{Ms,N}$	Partial safety factor:	[-]	1.5	1.5	1.5	1.5	1.5	--	
Steel shear failure									
MTP anchor									
$V_{Rk,s,C1}$	Characteristic shear steel failure:	[kN]	--	12.2	17.8	33.0	--	--	
MTP-G anchor									
$V_{Rk,s,C1}$	Characteristic shear steel failure:	[kN]	6.6	12.5	18.9	35.4	54.8	--	
MTP-X anchor									
$V_{Rk,s,C1}$	Characteristic shear steel failure:	[kN]	7.7	12.2	17.8	33.0	58.5	--	
α_{gap}	Factor for annular gap:	[-]	0.5					--	
$\gamma_{Ms,V}$	Partial safety factor:	[-]	1.25	1.25	1.25	1.25	1.25	--	
Pull out failure									
MTP anchor									
$N_{Rk,p,C1}$	Characteristic pull out failure:	[kN]	--	5.3	8.4	17.5	--	--	
MTP-G anchor									
$N_{Rk,p,C1}$	Characteristic pull out failure:	[kN]	6.0	9.0	16.0	25.0	30.0	--	
MTP-X anchor									
$N_{Rk,p,C1}$	Characteristic pull out failure:	[kN]	5.9	8.9	16.0	25.0	30.0	--	
γ_{ins}	Installation safety factor:	[-]	1.2	1.0	1.0	1.0	1.0	--	
Concrete cone failure									
h_{ef}	Effective embedment depth:	[mm]	48	60	70	85	100	--	
$S_{cr,N}$	Spacing:	[mm]	3 x h_{ef}					--	
$C_{cr,N}$	Edge distance:	[mm]	1.5 x h_{ef}					--	
γ_{ins}	Installation safety factor:	[-]	1.2	1.0	1.0	1.0	1.0	--	
Concrete pryout failure									
k_8	Pryout factor:	[-]	1	2	2	2	2	--	
Concrete edge failure									
l_f	Effective length of anchor:	[mm]	48	60	70	85	100	--	
d_{nom}	Outside anchor diameter:	[-]	8	10	12	16	20	--	

MTP anchors	Annex C7
Performances	
Essential characteristics for seismic performance category C1	

English translation prepared by IETcc

Table C10: Essential characteristics for seismic performance category C2 MTP, MTP-G, MTP-X anchors

Essential characteristics for seismic performance category C2			Performances					
			M8	M10	M12	M16	M20	M24
Steel tension and shear failure								
$N_{Rk,s,C2}$	Characteristic tension steel failure:	[kN]	--	31.4	40.4	72.7	116.6	--
$\gamma_{Ms,N}$	Partial safety factor:	[-]	--	1.5	1.5	1.5	1.5	--
$V_{Rk,s,C2}$	Characteristic shear steel failure:	[kN]	--	12.2	17.8	33.0	58.5	--
α_{gap}	Factor for annular gap	[-]	--	0.5	0.5	0.5	0.5	--
$\gamma_{Ms,V}$	Partial safety factor:	[-]	--	1.25	1.25	1.25	1.25	--
Pull out failure								
MTP anchor								
$N_{Rk,p,C2}$	Characteristic pull out failure:	[kN]	--	--	5.2	8.9	--	--
MTP-G anchor								
$N_{Rk,p,C2}$	Characteristic pull out failure:	[kN]	--	--	5.9	16.3	17.2	--
MTP-X anchor								
$N_{Rk,p,C2}$	Characteristic pull out failure:	[kN]	--	3.9	9.1	--	21.0	--
γ_{ins}	Installation safety factor:	[-]	--	1.0	1.0	1.0	1.0	--
Concrete cone failure								
h_{ef}	Effective embedment depth:	[mm]	--	60	70	85	100	--
$s_{cr,N}$	Spacing:	[mm]	--	3 x h_{ef}				--
$c_{cr,N}$	Edge distance:	[mm]	--	1.5 x h_{ef}				--
γ_{ins}	Installation safety factor:	[-]	--	1.0	1.0	1.0	1.0	--
Concrete pryout failure								
k_8	Pryout factor:	[-]	--	2	2	2	2	--
Concrete edge failure								
l_f	Effective length of anchor:	[mm]	--	60	70	85	100	--
d_{nom}	Outside anchor diameter:	[-]	--	10	12	16	20	--
Displacements								
MTP anchor								
$\bar{\delta}_{N,C2}$ (DLS)	Displacement Damage Limitation State: ^{1) 2)}	[mm]	--	--	2.34	3.99	--	--
$\bar{\delta}_{V,C2}$ (DLS)	Displacement Damage Limitation State: ^{1) 2)}	[mm]	--	--	5.53	5.96	--	--
$\bar{\delta}_{N,C2}$ (ULS)	Displacement Ultimate Limit State: ¹⁾	[mm]	--	--	9.54	10.17	--	--
$\bar{\delta}_{V,C2}$ (ULS)	Displacement Ultimate Limit State: ¹⁾	[mm]	--	--	9.08	10.66	--	--
MTP-G anchor								
$\bar{\delta}_{N,C2}$ (DLS)	Displacement Damage Limitation State: ^{1) 2)}	[mm]	--	--	6.79	5.21	5.72	--
$\bar{\delta}_{V,C2}$ (DLS)	Displacement Damage Limitation State: ^{1) 2)}	[mm]	--	--	5.53	5.96	6.37	--
$\bar{\delta}_{N,C2}$ (ULS)	Displacement Ultimate Limit State: ¹⁾	[mm]	--	--	24.70	19.58	17,20	--
$\bar{\delta}_{V,C2}$ (ULS)	Displacement Ultimate Limit State: ¹⁾	[mm]	--	--	9.08	10.66	12.32	--
MTP-X anchor								
$\bar{\delta}_{N,C2}$ (DLS)	Displacement Damage Limitation State: ^{1) 2)}	[mm]	--	3.15	5.57	--	6.82	--
$\bar{\delta}_{V,C2}$ (DLS)	Displacement Damage Limitation State: ^{1) 2)}	[mm]	--	5.61	5.53	--	6.37	--
$\bar{\delta}_{N,C2}$ (ULS)	Displacement Ultimate Limit State: ¹⁾	[mm]	--	14.77	20.31	--	29.12	--
$\bar{\delta}_{V,C2}$ (ULS)	Displacement Ultimate Limit State: ¹⁾	[mm]	--	8.68	9.08	--	12.32	--

¹⁾ The listed displacements represent mean values

²⁾ A small displacement may be required in the design in the case of displacements sensitive fastening of "rigid" supports. The characteristics resistance associated with such small displacements may be determined by linear interpolation or proportional reduction.

MTP anchors	Annex C8
Performances	
Essential characteristics for seismic performance category C2	

English translation prepared by IETcc

Table C11: Essential characteristics under fire exposure MTP, MTP-G, MTP-X anchors

Essential characteristics under fire exposure				Performances					
				M8	M10	M12	M16	M20	M24
Steel failure									
$N_{Rk,s,fi}$	Characteristic tension resistance:	R30	[kN]	0,4	0,9	1,7	3,1	4,9	7,1
		R60	[kN]	0,3	0,8	1,3	2,4	3,7	5,3
		R90	[kN]	0,3	0,6	1,1	2,0	3,2	4,6
		R120	[kN]	0,2	0,5	0,8	1,6	2,5	3,5
$V_{Rk,s,fi}$	Characteristic shear resistance:	R30	[kN]	0,4	0,9	1,7	3,1	4,9	7,1
		R60	[kN]	0,3	0,8	1,3	2,4	3,7	5,3
		R90	[kN]	0,3	0,6	1,1	2,0	3,2	4,5
		R120	[kN]	0,2	0,5	0,8	1,6	2,5	3,5
$M^0_{Rk,s,fi}$	Characteristic bending resistance:	R30	[Nm]	0,4	1,1	2,6	6,7	13,0	22,5
		R60	[Nm]	0,3	1,0	2,0	5,0	9,7	16,8
		R90	[Nm]	0,3	0,7	1,7	4,3	8,4	14,6
		R120	[Nm]	0,2	0,6	1,3	3,3	6,5	11,2
Pull out failure									
$N_{Rk,p,fi}$	Characteristic resistance:	R30							
		R60	[kN]	1,3/1,5 ³⁾	2,3	3,0/4,0 ³⁾	6,3	7,5	7,5
		R90							
		R120	[kN]	1,0/1,2 ³⁾	1,8	2,4/3,2 ³⁾	5,0	6,0	6,0
Concrete cone failure ²⁾									
$N_{Rk,c,fi}$	Characteristic resistance:	R30							
		R60	[kN]	2,9	5,0	7,4	12,0	18,0	31,4
		R90							
		R120	[kN]	2,3	4,0	5,9	9,6	14,4	25,2
$S_{cr,N,fi}$	Critical spacing:	R30 to R120	[mm]	4 x h_{ef}					
$S_{min,fi}$	Minimum spacing:	R30 to R120	[mm]	50	60	70	85/128 ¹⁾	100/150 ¹⁾	125
$C_{cr,N,fi}$	Critical edge distance:	R30 to R120	[mm]	2 x h_{ef}					
$C_{min,fi}$	Minimum edge distance:	R30 to R120	[mm]	$C_{min} = 2 \times h_{ef}$; if fire attack comes from more than one side, the edge distance of the anchor has to be ≥ 300 mm and $\geq 2 \times h_{ef}$					
Concrete pry out failure									
k_8	Pryout factor:	R30 to R120	[-]	1	2	2	2	2	2

¹⁾ Respective values for anchors MTP / MTP-G, MTP-X

²⁾ As a rule, splitting failure can be neglected since cracked concrete and reinforcement is assumed.

In absence of other national regulations the partial safety factor for resistance under fire exposure $\gamma_{m,fi} = 1,0$ is recommended

MTP anchors

Performances

Essential characteristics under fire exposure

Annex C9

Table C12: Essential characteristics under fire exposure MTP-A4 anchor

Essential characteristics under fire exposure			Performances				
			M8	M10	M12	M16	M20
Steel failure							
$N_{Rk,s,fi}$	Characteristic tension resistance:	R30 [kN]	0,7	1,5	2,5	4,7	7,4
		R60 [kN]	0,6	1,2	2,1	3,9	6,1
		R90 [kN]	0,4	0,9	1,7	3,1	4,9
		R120 [kN]	0,4	0,8	1,3	2,5	3,9
$V_{Rk,s,fi}$	Characteristic shear resistance:	R30 [kN]	0,7	1,5	2,5	4,7	7,4
		R60 [kN]	0,6	1,2	2,1	3,9	6,1
		R90 [kN]	0,4	0,9	1,7	3,1	4,9
		R120 [kN]	0,4	0,8	1,3	2,5	3,9
$M^0_{Rk,s,fi}$	Characteristic bending resistance:	R30 [Nm]	0,7	1,9	3,9	10,0	19,5
		R60 [Nm]	0,6	1,5	3,3	8,3	16,2
		R90 [Nm]	0,4	1,2	2,6	6,7	13,0
		R120 [Nm]	0,4	1,0	2,1	5,3	10,4
Pull out failure							
$N_{Rk,p,fi}$	Characteristic resistance:	R30 [kN]	2,1	3,5	4,8	-- ¹⁾	-- ¹⁾
		R60 [kN]	2,1	3,5	4,8	-- ¹⁾	-- ¹⁾
		R90 [kN]	1,7	2,8	3,8	-- ¹⁾	-- ¹⁾
		R120 [kN]	1,7	2,8	3,8	-- ¹⁾	-- ¹⁾
Concrete cone failure ²⁾							
$N_{Rk,c,fi}$	Characteristic resistance:	R30 [kN]	2,7	4,8	7,1	11,5	17,2
		R60 [kN]	2,7	4,8	7,1	11,5	17,2
		R90 [kN]	2,2	43,8	5,6	9,2	13,8
		R120 [kN]	2,2	43,8	5,6	9,2	13,8
$S_{cr,N,fi}$	Critical spacing:	R30 to R120 [mm]	4 x h_{ef}				
$S_{min,fi}$	Minimum spacing:	R30 to R120 [mm]	42	47	57	75	100
$C_{cr,N,fi}$	Critical edge distance:	R30 to R120 [mm]	2 x h_{ef}				
$C_{min,fi}$	Minimum edge distance:	R30 to R120 [mm]	$C_{min} = 2 \times h_{ef}$; if fire attack comes from more than one side, the edge distance of the anchor has to be ≥ 300 mm and $\geq 2 \times h_{ef}$				
Concrete pry out failure							
k_8	Pryout factor:	R30 to R120 [-]	1	2	2	2	2

¹⁾ Pull out failure is not decisive

²⁾ As a rule, splitting failure can be neglected since cracked concrete and reinforcement is assumed.

In absence of other national regulations the partial safety factor for resistance under fire exposure $\gamma_{m,fi} = 1,0$ is recommended

MTP anchors	Annex C10
Performances	
Essential characteristics under fire exposure	