

DID YOU KNOW?

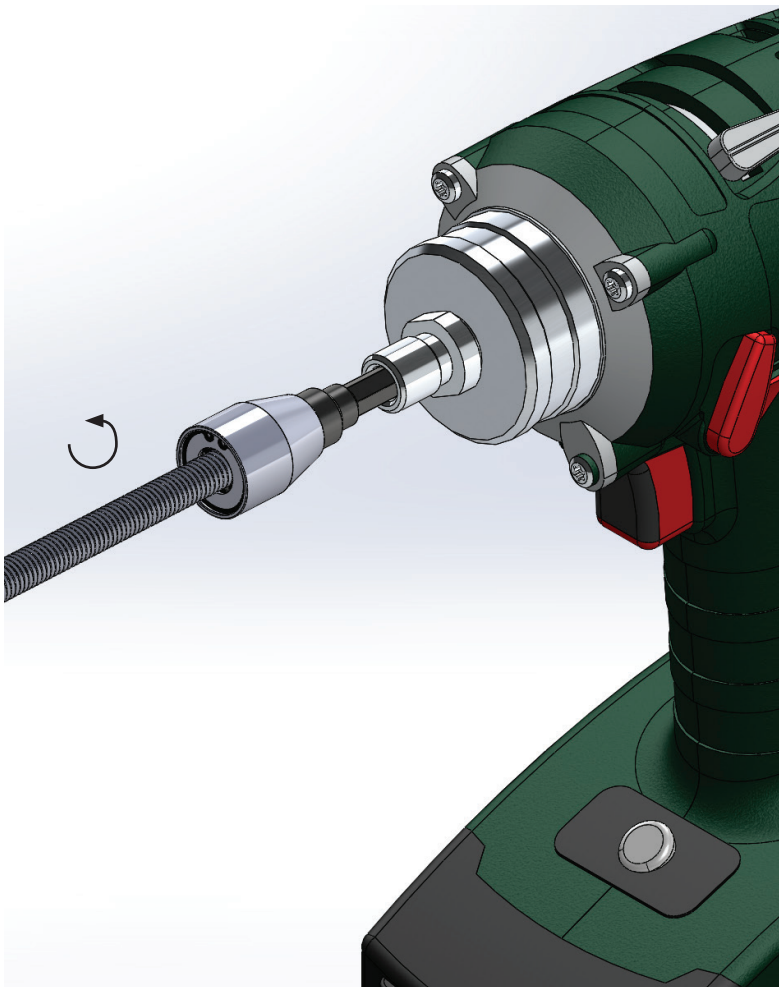
about our... **ALLTHREAD SOCKET BIT**



**NEW
PRODUCT**

ALLTHREAD INSTALLATION SOCKET BIT S2 ALLOY STEEL

Part	QFind	For Allthread Size (mm)	Drive Size (Inch)	Pack (Qty)
AXDDPASM10	AXS10	M10	1/4"	10
AXDDPASM12	AXS12	M12	1/4"	10



- » Allthread rod socket adapters remove the manual process of installing rods by hand.
- » Fast and smooth installation of threaded rod.
- » No damage to threads.
- » Can be used for installation and removal of threaded rod.



- » Easy connection of allthread rod to socket bit.
- » Automatic locking cams grip and rotate the rod until fully inserted.
- » Made of hardened pins to increase the life of the tool.
- » NOT to be used with drill in HAMMER or IMPACT MODE.

1901151DYK